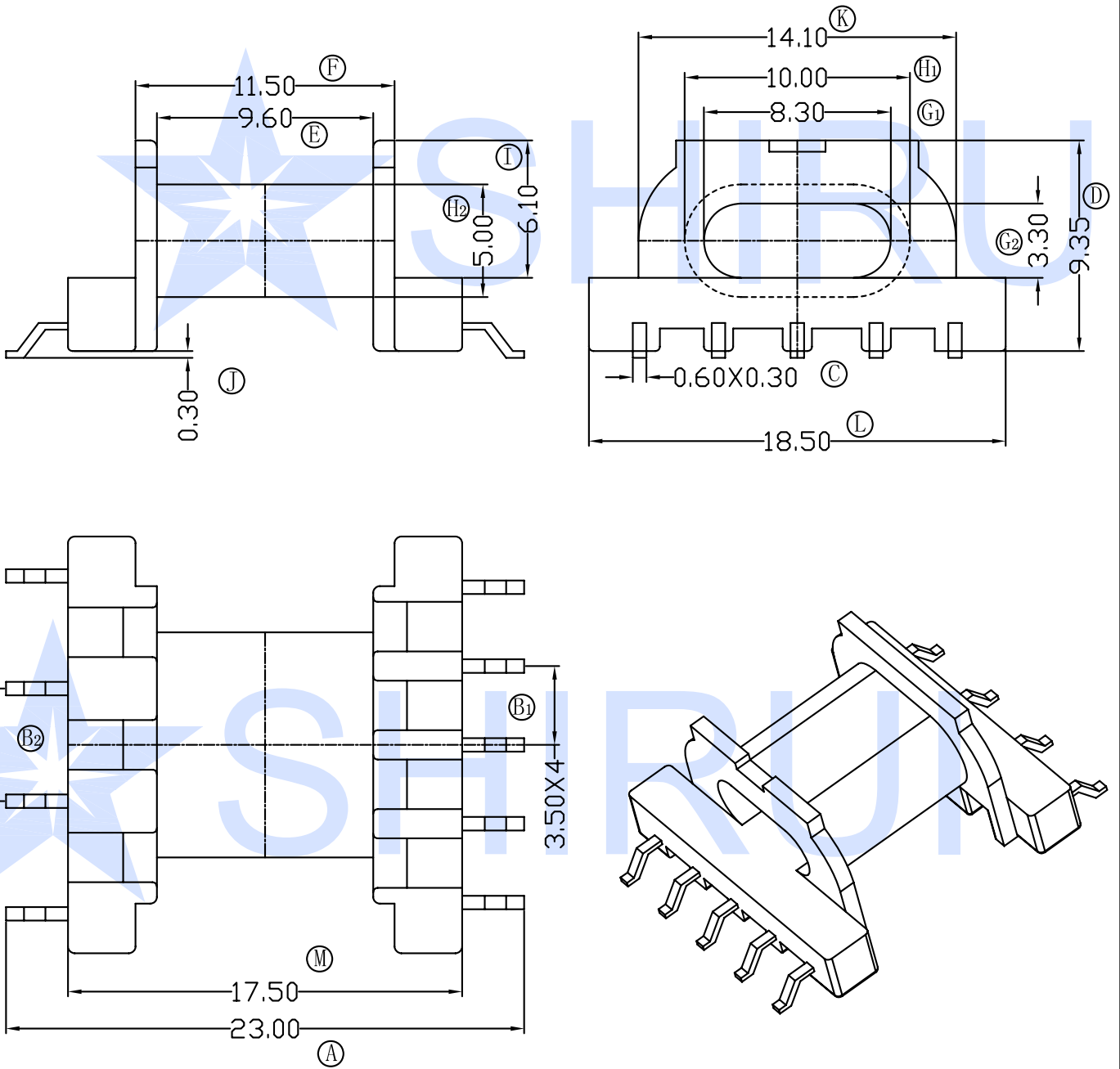


P/N

SR-SMD EPC1701

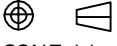


**Hefei Shirui Electronic Technology Co.,Ltd**

TEL:(0086) 55165232650

sales@shiruitech.com

www.shiruitech.com

SR NO. <b>SR-SMD EPC1701</b>	MATERIAL: PHENOLIC UL REC: UL 94V-0	UNIT: mm TOLERANCE 0 L 4 ±0.10 4 L 16 ±0.20 16 L 64 ±0.30 PIN PITCH ±0.05	DRN.	WILL H
MODEL NAME: <b>SMD-EPC17(4+5P)-1S</b>	ANGLE: ±°  SCALE 1:1		CHD.	IRINA LEE
			ISSD.	JAMES HU